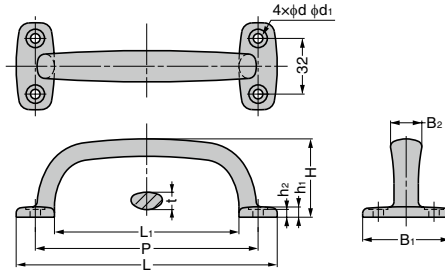


## STAINLESS STEEL HANDLE 4LC

NSF SUS316



- Titanium handle is available as a special order.

## [Remarks]

- Recommended screws given in the table below not included.

## [Parts Included]

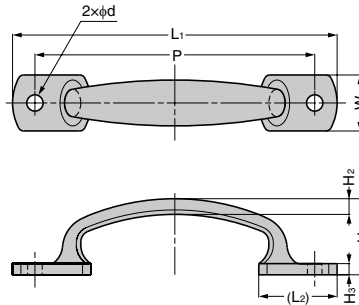
- 4LC-82, 4LC-114: Pan head tapping screw (SUS) 4×20
- 4LC-150, 4LC-180: Pan head tapping screw (SUS) 5×30

RoHS	CAD	Item Code	Item Name	Material	Finish	L	L <sub>1</sub>	P	B <sub>1</sub>	B <sub>2</sub>	H	h <sub>1</sub>	h <sub>2</sub>	t	d	d <sub>1</sub>	Weight (g)	Recommended Screw	Box (pcs)	Carton (pcs)
✓	3D	100-010-135	4LC-82	Stainless Steel (SCS14)	Polished	82	46	64	48	16	36.5	5.5	4	8	5	9.5	110	M4	8	96
✓	3D	100-010-136	4LC-114			114	78	96	48	16	40	6	4.5	9	9.5	148	6		72	
✓	3D	100-010-137	4LC-150			150	106	128	50	20	18	45	5	10	6	11	210	M5	3	36
✓	3D	100-010-138	4LC-180			180	140	160	20	48	6.5	5	10	6	11	270	2		24	

※SCS14 is equivalent to SUS316.

## STAINLESS STEEL HANDLE 3LC

SUS



## [Applications]

- Indoor and outdoor medium sized doors.

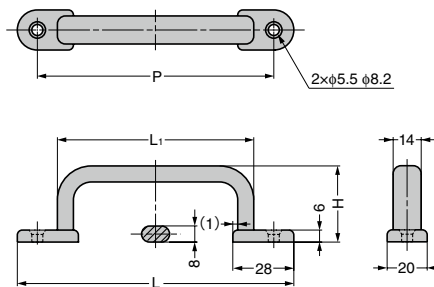
RoHS	CAD	Item Code	Item Name	Material	Finish	L <sub>1</sub>	L <sub>2</sub>	W	H <sub>1</sub>	H <sub>2</sub>	H <sub>3</sub>	P	d	Weight (g)	Box (pcs)	Carton (pcs)
✓	3D	100-019-846	3LC-120	Stainless Steel (SCS14)	Polished	120	29	20	30	6	5	105	5.5	90	100	—
✓	3D	100-019-845	3LC-130	Stainless Steel (SCS13)		130	30	22	33	7	6	115	6.5	120	—	—
✓	3D	100-019-747	3LC-145	Stainless Steel (SCS14)		145	35	25	34	7	6	125	6.5	155	150	—

※SCS14 is equivalent to SUS316.

※SCS13 is equivalent to SUS304.

## STAINLESS STEEL HANDLE EC-Y

SUS



## [Parts Included]

- Raised countersunk head tapping screw 4×20 (SUS)

RoHS	CAD	Item Code	Item Name	Material	Finish	L	L <sub>1</sub>	H	P	Weight (g)	Box (pcs)	Carton (pcs)
✓	3D	100-012-831	EC-Y-140	Stainless Steel (SUS303)	Polished	138	100	38	120	142	5	100
✓	3D	100-012-832	EC-Y-160			158	120	40	140	160	3	51
✓	3D	100-012-833	EC-Y-190			188	150	42	170	185	2	50