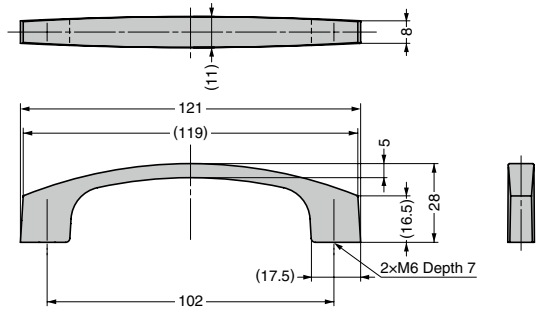


HANDLE SAZ-121CR



LARGE HANDLES

HANDLES (FRONT SCREW MOUNT)

HANDLES (BACK SCREW MOUNT)

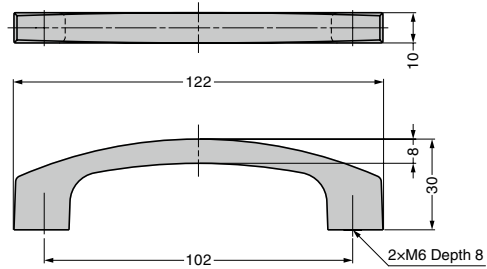
RECESSED PULLS

PULLS & KNOBS

LATCH HANDLES

RvHS	CAD	Item Code	Item Name	Material	Finish	Weight (g)	Box (pcs)	Carton (pcs)
		100-010-105	SAZ-121CR	Zinc Alloy (ZDC)	Chrome	63	50	200

HANDLE SAZ-122

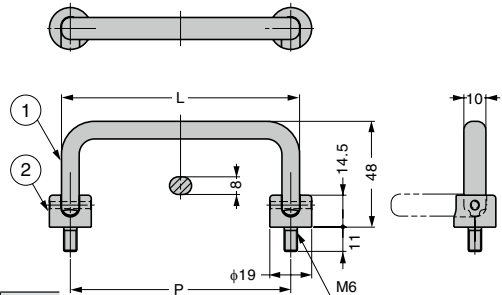


RvHS	CAD	Item Code	Item Name	Material	Finish	Weight (g)	Box (pcs)	Carton (pcs)
		100-019-790	SAZ-122	Zinc Alloy (ZDC)	Chrome	85	1	-

FOLDING HANDLE HK



- 90-degree folding handle.
- Handle clicks into open and closed position.
- Oval profile for optimum grip.



[Applications]

● Storage handles for various kinds of equipment, etc.

[Parts Included]

- Toothed washer size 6 (SUS)
- Hexagon nut for M6 (SUS)

RvHS	CAD	Item Code	Item Name	L	P	Load Capacity N	Load Capacity kgf	Weight (g)	Box (pcs)	Carton (pcs)
		100-010-011	HK-80	88	80			125	10	100
		100-010-012	HK-100	108	100	490	50	136	10	100
		100-010-013	HK-120	128	120			146	10	100

No.	Part Name	Material	Finish
①	Handle	Stainless Steel	Polished
②	Base	(SUS304)	Polished